

## LN-CS22U6060-BL-541-B1

### U Height: 22U

#### Standards and Compliances:



#### ISO 9001 Quality Management System

EN 61587-1  
Mechanical Structures for  
Electronic Equipment

IEC 297-1, 19" Mounting  
IEC 297-2 Overall Cabinet Dimensions

EN/IEC 60529- IP20 Ingress Protection  
performance

EN/IEC 62262- IK07 Mechanical  
Impact Resistance



**CE conform to**  
EN 60950-1  
Information Technology  
Equipment, Safety,  
Part-1: General Requirement

EN IEC 62368-1 Audio/Video,  
Information and Communication  
Technology Equipment  
Part 1: Safety requirements



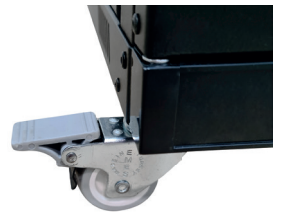
**UL listed to**  
UL 2416, Outline of Investigation for  
Audio/Video, Information and  
Communication Technology Equipment  
Cabinet, Enclosure and Rack  
Systems; UL 60950-1 and CSA  
C22.2 NO. 60950-1-07, Information  
Technology Equipment Safety  
Part 1: General Requirements



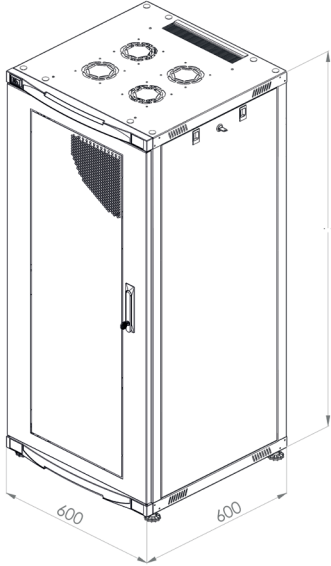
**Environment Friendly;**  
ISO 14001 Environmental  
Management System  
RoHS compliancy  
%100 Recyclable Material

#### Color:

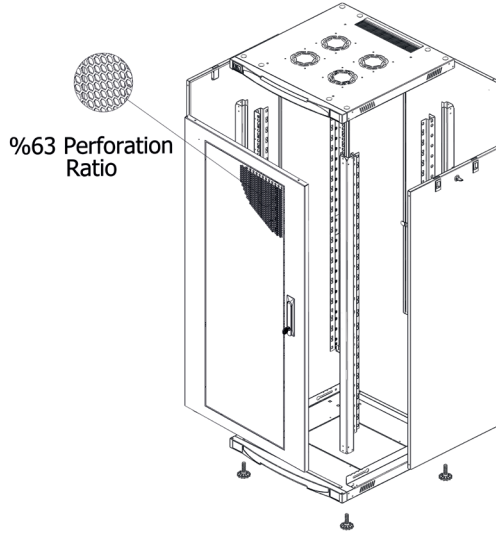
**E** RAL 9005 Black



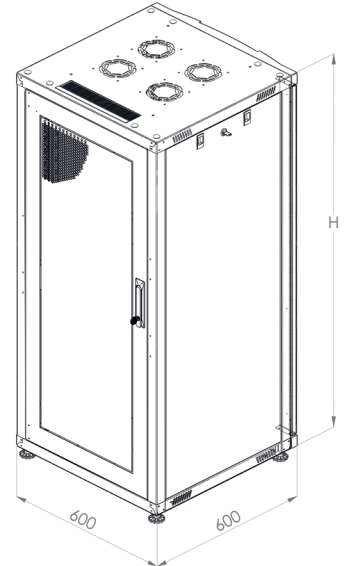
# LN-CS22U6060-BL-541-B1



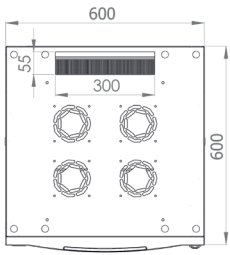
FRONT VIEW



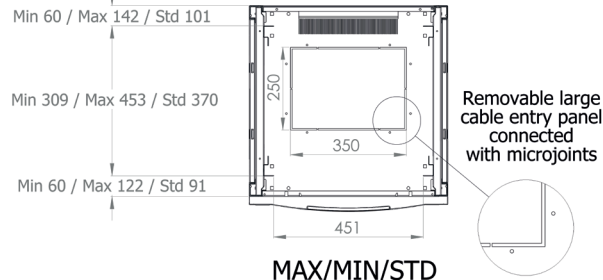
EXPLODED VIEW



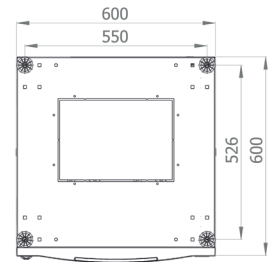
REAR VIEW



TOP VIEW



MAX/MIN/STD  
EQUIPMENT  
MOUNTING  
DISTANCE



BOTTOM VIEW

## LN-CS22U6060-BL-541-B1 Specification

Product Number	Product Description	Dimensions WxDxH mm
LN-CS22U6060-BL-541-B1	19" 22U Laptop/Tablet (up to 30 unit) Charging Cabinet 600x600 mm with Perforated Front and Rear Door, RAL 9005 Black	600x600x1091

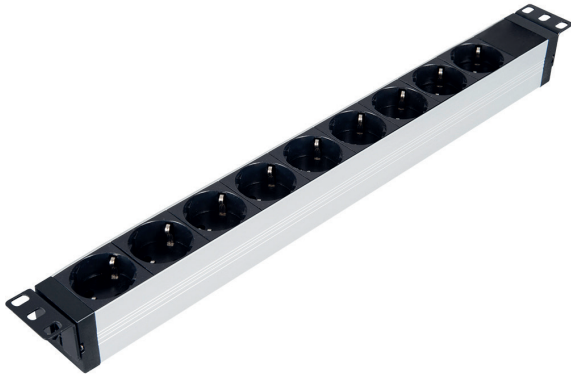
## LN-CS22U6060-BL-541-B1 - Components



Components	Quantity	Product Description
Including	3 pieces	Pull-Out Charging Shelf For 10 Pieces Laptop/Tablet RAL 9005 Black



Components	Quantity	Product Description
Including	1 piece	6xDIN49440 socket schuko surge protection power Strip, 19" 1U, aluminium housing, 16A lighted on/off switched, 4000 Watt, 250V AC, 3x1.5mm <sup>2</sup> , 2,5m cable, DIN 49441 plug, CE approval



Components	Quantity	Product Description
Including	3 pieces	9xDIN49440 socket schuko, 19" 1U, aluminium housing, 4000 Watt, 250V AC, 3x1.5mm <sup>2</sup> , 2.5m cable, DIN 49441 plug, CE approval