

LC600 Label Cutter

AUTOMATED SHEET LABEL CUTTING

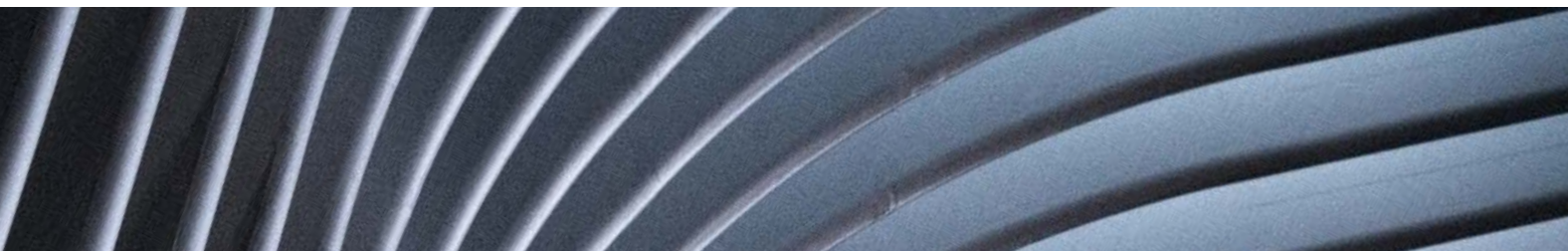
- INSTANT JOB RECOGNITION
- ULTRA-FAST DIGITAL CUTTING
- UNATTENDED PRODUCTION



Fully automated, sheet label production.
Kiss cut any shape. Ultra fast!



Faultless digital kiss cutting of any shape. The tool head can deliver up to a class-leading 750g of force, perfect for more durable label substrates



Market leading features

- Digitally cut any shape labels at up to 960mm/sec
- Digital process means no more costly dies
- Cut closer to media edges with the 'Dual Grip' feed system
- QR code/Job Library retrieves associated cut files - even for mixed job batch sessions
- Auto stacker/feeder takes up to 250 sheets
- Paper stacker holds A3+, SRA3, A3, A4 and custom sizes for a maximum cutting length of 750mm
- SmartMark registration delivers incredible accuracy - enabled via included ColorCut Pro software



Immersive touch screen control panel



Space-saving, retractable media catch tray

PRODUCT ON WEBSITE



WATCH VIDEO



Fully automated for unattended production

The new ColorCut LC600 'on demand' digital sheet label cutter is designed to provide automatic sheet label cutting for digital print production users, with NO die's or setup costs. Targeted for busy print departments, seeking complete unattended cutting production, the LC600 combines reliable label-sheet feeding with an instant job retrieval system - this enables effortless, yet precise, kiss cut label cutting at lightning-fast speeds.

Mixed jobs? No problem - thanks to ColorCut Pro's QR code job recognition!

The LC600 offers an unparalleled production advantage, in being able to read and instantly retrieve the associated cut file for every sheet design - on the fly! It can take a varied stack of jobs and cut one after the other, in a seamless and uninterrupted flow.

Its 'Dual Grip' feed system holds the media during cutting, on BOTH sides of the cutting head, enabling it to cut closer to the media edges than most other types of cutter.

QR codes and SmartMarks are generated as part of the included ColorCut Pro software plugin which integrates with vector artwork created in Adobe® Illustrator® and CorelDRAW®.



Easy to use automatic job retrieval - no skilled operator required for cutting!

When creating your jobs, ColorCut Pro applies an auto assigned (editable) QR code to each of your designs, saving the cutting file to the ColorCut Pro Job Library.

Jobs with QR codes can be cut at a later date by any operator - no need to search for which file to cut - no computer skills required! Simply load the sheets, press start and the LC600 will check the QR code, retrieve the cut file and allow you to cut a single sheet or indeed hundreds of sheets in an unattended run.

Small footprint - compact and clever...

The LC600's space-saving media catch tray slides away when not in use ensuring that the LC600 can easily be accommodated in any print shop.

With its unique 'Y' feed path, media is drawn in and reversed back out on the LC600's cutting bed, to ensure continual, faultless feeding.

The digital cutting head can apply up to 750g of pressure, adjustable through the included ColorCut Pro software, to cut even the thickest label stocks.

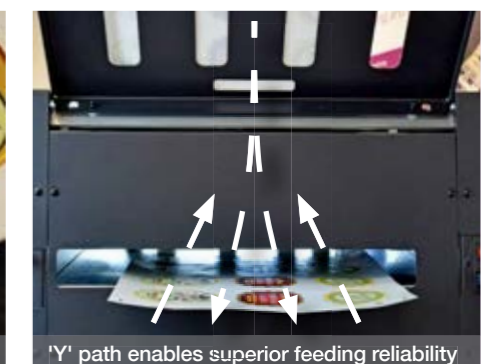
ColorCut Pro software offers total control making operation sophisticated, yet simple!



Perfect kiss cutting, with easily removed waste material and labels retained on sheet



QR code and Job Number with SmartMark



'Y' path enables superior feeding reliability

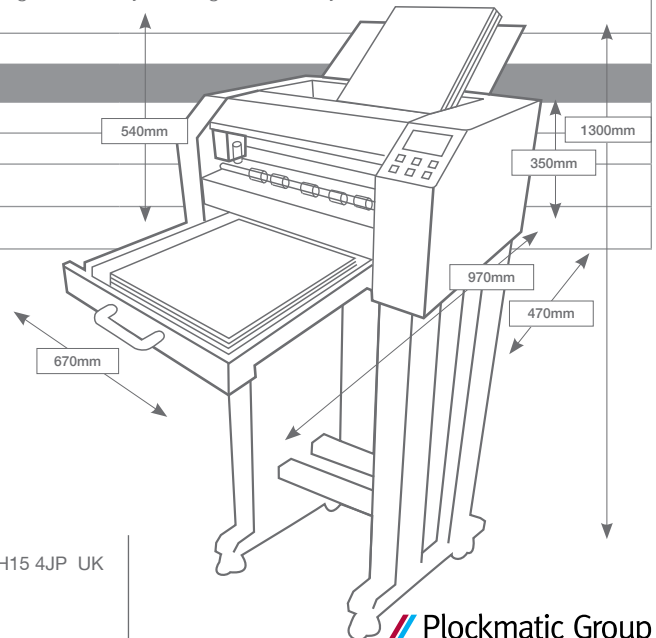
Unique QR codes and Job Numbers applied to each job, enables mixed jobs to be read and cut

Specifications



Intec ColorCut LC600 High Speed Sheet Label Cutter

MEDIA HANDLING							
Standard media sizes	A4 (210 x 297mm), A3 (297 x 420mm), SRA3 (320 x 450mm), A3+ (320 x 480mm)						
Custom sized label media	Media width (min-max): 150mm - 330mm Media length (min-max): 190mm - 750mm						
Media thickness	0.14mm (140 micron/140g/m ²) - 0.35mm (350micron/350g/m ²)						
Auto-sheet capacity	Up to 250 sheet auto-sheet feeder						
Media alignment	Slide adjustment with self centring guide						
CUTTING CONTROL							
Mountable tools	Single tool holder, supports Cutting Blade (30°, 45° or 60°) for range of media types and also calibration pen for auto-calibration						
Cutting blades	<table border="1"> <tr> <td>Yellow</td> <td>1mm 30° cemented carbide blade - for thin film and very soft material</td> </tr> <tr> <td>Red</td> <td>1mm 45° cemented carbide blade - for adhesive stickers</td> </tr> <tr> <td>Blue</td> <td>1mm 60° cemented carbide blade - for thick vinyl media, sharply angled tip provides a longer cutting edge</td> </tr> </table>	Yellow	1mm 30° cemented carbide blade - for thin film and very soft material	Red	1mm 45° cemented carbide blade - for adhesive stickers	Blue	1mm 60° cemented carbide blade - for thick vinyl media, sharply angled tip provides a longer cutting edge
Yellow	1mm 30° cemented carbide blade - for thin film and very soft material						
Red	1mm 45° cemented carbide blade - for adhesive stickers						
Blue	1mm 60° cemented carbide blade - for thick vinyl media, sharply angled tip provides a longer cutting edge						
Cutting system (force)	Contour cutter, with up to 7.35N (750gf) delivered in 190 steps programmable through Intec ColorCut Pro 3 cutting software						
Mechanical / Programme resolution	0.01254mm / HPGL 0.025mm						
Maximum speed	960mm/s						
SOFTWARE & CONNECTIVITY							
ColorCut Pro 3 – Plugin (PC)	ColorCut Pro 3 plug-in (all features available). ColorCut Pro sends projects designed in Adobe® Illustrator® or CorelDRAW® directly to Intec ColorCut label cutter with no need to convert them to a different format. Requires: PC - Adobe® Illustrator® CS1 – CS6, CC, CC2014, CC2015, CC2017, CC2018, CC2019, or CorelDRAW® X4 - X8, 2017 - 2019						
ColorCut Pro 3 – Plugin (Mac)	ColorCut Pro 3 Plugin for Mac enables the ColorCut Pro Job Library Client. Mac users add cut marks to Illustrator files and assign Job numbers and QR codes. The jobs are sent to the remote ColorCut Pro Job Library on a PC for cutting. Requires: Illustrator CC2018- 2020						
ColorCut Pro 3 – Standalone	ColorCut Pro 3 – Job Server version of ColorCut Pro is PC only and enables jobs created by the ColorCut Pro plugin (above) to be cut at any time, without requiring Adobe® Illustrator® or CorelDRAW® and without having to re-open the original file						
PC minimum specification	64-bit. 2 GB of RAM (4 GB recommended). Minimum display resolution: 960x830. For live preview PC must have Wi-Fi capability for direct connection to Vision3 camera sensor (USB Wi-Fi dongle included)						
Connectivity	USB (1 connection to PC is required)						
REGISTRATION CONTROL & JOB MANAGEMENT							
Registration system	Vision3 - High resolution CCD vision system reads the registration marks on the media, comparing position with original digital file. Automatically adjusting cut lines to correct any scale or skew positional differences						
Cut position accuracy	+/- 100 micron						
Auto job recognition	Yes: Instant cut file retrieval, supported through QR code job recognition in conjunction with ColorCut Pro 3 software (supplied)						
Varied or mixed job recognition	Yes						
GENERAL							
Weight	47kgs						
Power supply	AC 110-220V 50/60Hz, 0.5A						
Dimensions of LC600 W x D x H	670 x 470 x 350mm						
Max' area required in use on stand	670 x 970 x 1300mm						



Intec Printing Solutions Limited
 Unit 11B, Dawkins Industrial Estate, Poole, Dorset BH15 4JP UK
 Tel: +44 (0) 1202 845 960
 Email: sales@intecprinters.com
www.intecprinters.com

