

19" SOUNDproof Free Standing Cabinets



- ▶ Convenient for offices and indoor usage
- ▶ Very silent

19" SOUNDproof Free Standing Cabinets

Width: 750 mm
Depth: 1130 mm

SOUNDproof Free Standing Cabinets

General concept;

SOUNDproof Free Standing Cabinets are high quality design, for applications in office environments to reduce noise of active equipment by absorbing noise from equipment housed internally in the cabinet. Elegant appearance to blend into the office environment with the option of a wooden concept finish in Maple, Teak, Oak, Walnut, Cherry or Beech along with Black RAL 9005 paint finish to side panels and rear door.

Available in 17U, 32U and 42U heights, width 750 mm, depth 1130 mm ideal for the majority of data network, server and storage applications. SOUNDproof cabinets improves Health and Safety in the office environment by reducing noise and safe guarding office personal.

The Lande SOUNDproof cabinets has many applications in banks, hospitals, laboratories, hotels, meeting rooms, conference venues with its superior sound reduction performance it allows IT equipment to be locally sited for optimum Network performance.

The product range has been developed for banks, hospitals, laboratories, hotels, meeting rooms, conference venues, with superior sound reduction performance.

The SOUNDproof cabinet is equipped with the most high performance silent fans and ventilation system, max 29-30dB levels, to support the main objective of noise reduction performance, each cabinet is supplied as standard with a wood concept finish on front and top cover and steel rear door and side panels, both front and rear doors are lockable.

SOUNDproof series has a professional aesthetic look with decorative wood finish on the front door and roof structure with Steel rear door and side panels painted in RAL 9005 Black with fine wrinkle soft touch paint.

Completely standard and stocked product portfolio, being delivered as single piece assembled product with adjustable feet and heavy duty castor set included.

SOUNDproof series product range with optimal panel, offers optional accessories to meet the specific requirements of users.



19" SOUNDproof Free Standing Cabinets

Width: 750 mm
Depth: 1130 mm

Construction details:

Main frames;

Multi folded automated bending technology applied monoblock side panel/frame system, provides a heavy duty structure resulting in a high load capacity of: 1000 kg.

Monoblock multi folded top and bottom cases, fixed to the side panel/frame system with fixing hardware, providing strength and rigidity.

Cable entry;

Bottom case integrated with wide cable entry point provides maximum versatility. The rubber edged sliding mechanism on the cable entry point at the base with $w=350\text{ mm} \times d=250\text{ mm}$ allows large cabling infrastructure applications. The rubber edged sliding mechanism is max cable entry opening is $w=350 \times d=150\text{ mm}$. After inserting the cables, the rubber edged mechanism slides and holds and fixes the cables in parallel preventing dust entry.

Front door (high quality melamine coated chipboard);

Front door, wardrobe style double opening, 18 mm thickness, high quality melamine coated chipboard, with integrated barrel locking mechanism on top.

Rear door (solid metal);

Rear door, is double skin, metal, with acoustic sound emitting insulation material on the surface of both skins, integrated with handled locking unit.

Rear door also has a 3-way fan module while the hot air exhaust openings are available in both left and right sides of the rear door.

FAN module integration capacities per U height;

- 17U rear door, has 1x3 way thermostat controlled integrated fan module, with 2 pcs hot air exhaust openings included.
- 32U rear door, has 2x3 way thermostat controlled integrated fan module, with 4 pcs hot air exhaust openings included.
- 42U rear door, has 3x3 way thermostat controlled integrated fan module, with 6 pcs hot air exhaust openings included.



19" SOUNDproof Free Standing Cabinets

Width: 750 mm
Depth: 1130 mm

Construction Details:

Side Panels;

Narrow side panels; removable vertical side panels, which are lockable and removable with barrel locking. Side panels are also covered with acoustic sound emitting insulation material. From removable side panel access to vertical PDU housing is possible.

There are wide side panels, which are main frame function of the enclosure which are double skin. Both skins of the panel are covered with acoustic sound emitting insulation material.

PDU integration and capacities per U height;

17U cabinet, has at both sides a 19" PDU vertical assembly location.

32U cabinet, has at both sides 2pcs 19" PDU vertical assembly location vertical PDU can be housed.

42U cabinet, has at both sides 2pcs 19" PDU vertical assembly location vertical PDU can be housed.

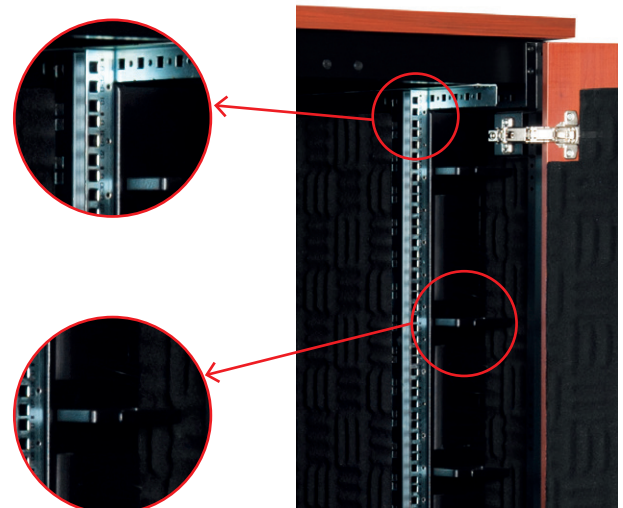
Vertical PDU's do not impede on U space, universal 19" standard PDU can be assembled at the 19" rails.

19" mounting rails;

19" rails of SOUNDproof Series Free Standing Cabinets are silk-screen printed with U numbering, to help installation of equipment depends on size 1U to 42U, same from top to bottom or bottom to top. 19" rails are 2.0 mm thickness, 4 fold bending surfaces for strength and high load capacities. 19" rails are made of steel with 8-12 micron zinc plating for corrosion resistance. All 19" rails are adjustable in depth to allow flexibility when installing equipment.

Vertical cable management panels and brushed cable passage in front; the SOUNDproof Cabinets has vertical cable management panel all height in front 1set=2pcs left/right.

Vertical cable management panels allows improved cable management with integrated aluminium rings 88x60 mm, also there is 70x145 mm brushed cable passage openings in between the rings to allow cable bundles to the rear side of the cabinet.



19" SOUNDproof Free Standing Cabinets

Width: 750 mm
Depth: 1130 mm

Construction details:

Top cover;

Top wood concept cover is 30 mm thickness, high quality melamine coated chipboard giving a professional appearance for the office environment.

For security the top cover is fixed from inside the cabinet and cannot be detached from outside, allowing a fully secure and sturdy top cover.



Levelling feet, caster set;

The SOUNDproof Cabinet equipped with heavy duty caster set and levelling feet. Once the Cabinet is in position the adjustable levelling can be lowered and the cabinet is secure in positioned.



The Casters and levelling feet are totally recessed. High quality melamine coated chipboard; The Wood finished options: O-Oak, C-Cherry, B-Beech, T-Teak, W-Walnut, M-Maple (Maple is standard stock chipboard option).



EN 14322; wood-based panels. Melamine faced boards for interior uses. Definition, requirements and classification; E1 quality level, formaldehyde emission E1 level, European Standard, classified as non Toxic. Indoor air concentration is less than 0,1 ppm (parts per million).

19" SOUNDproof Free Standing Cabinets

Width: 750 mm
Depth: 1130 mm

Construction details:

Acoustic Sound emitting insulation material;
High density sound emitting material, in medium, high and low frequency segments, flexy type with ventilation allowance hole spacing allows for best sound emitting performance.

- 75-100 kg/m³
- Non Flammable; (BS 476 Part 6 Class 0, Part 7 Class 1)
- Halogen Free
- Anti-Fungus
- For acoustic and sound emitting applications

Covered all doors and panels, in between the double skins and internal side of the inner skins.



Sound emitting performance;

8 servers in a standard cabinet

8 servers in a SOUNDproof cabinet

70dB			Sound level of vertical driller			70dB
60dB			Normal speech noise levels face to face			60dB
55dB						
			Office background noise level			
50dB						50dB
			SOUNDproof Cabinet			
40dB						40dB
Silent room						Silent room

18-21 dB noise level reduction from 1 meter distance to the enclosure

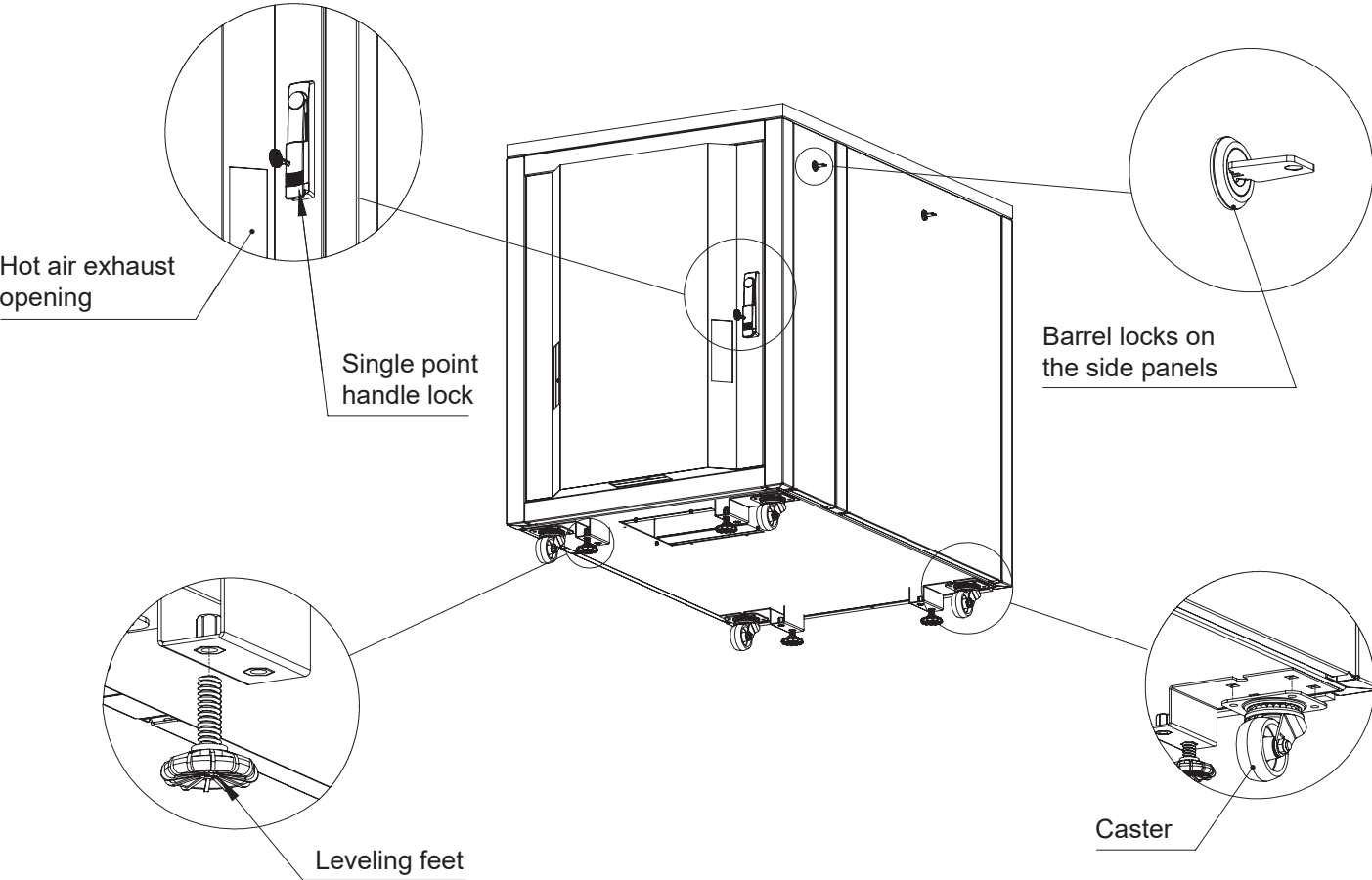
All design features provide strength and 4 way access to equipment, easy for installations and maintenance needs whilst providing the best sound emitting performance...

19" SOUNDproof

Free Standing Cabinets

Concept Drawings

Lock, cable entry, castor set, leveling feet, hot air exhaust

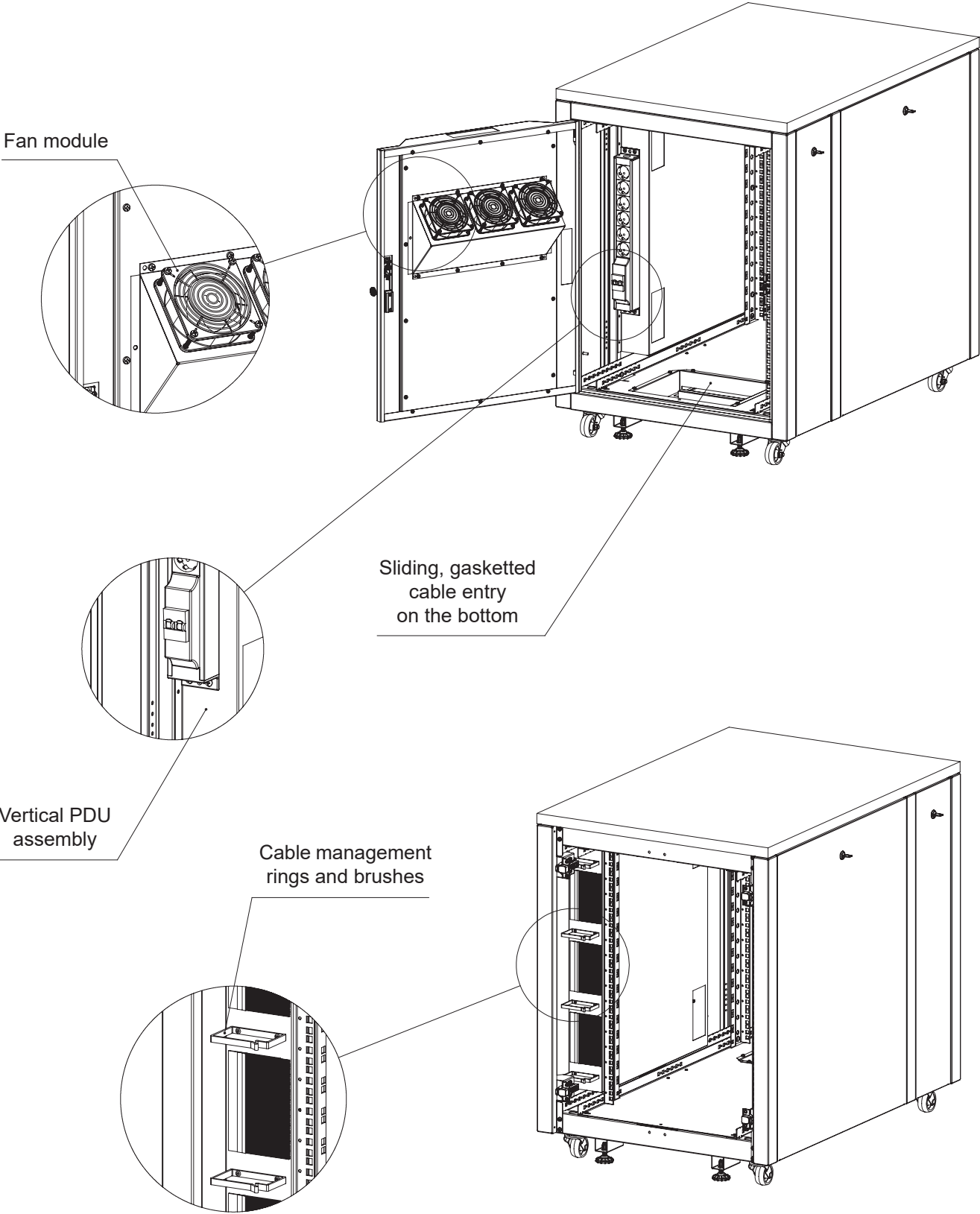


19" SOUNDproof

Free Standing Cabinets

Concept Drawings

Fan system, cable passage brushes, cable management rings



19" SOUNDproof

Free Standing Cabinets

U Heights: 17U, 32U and 42U

Width: 750 mm
Depth: 1130 mm

Load Capacity: 1000 kgs.

U Height: 17U

Standards and Compliances:



ISO 9001:2008
Quality Management System

EN 61587-1:2012
Mechanical Structures for
Electronic Equipment

IEC 297-1, 19" Mounting
IEC 297-2 Overall Cabinet Dimensions



CE conform to
EN 60950-1:2006
Information Technology
Equipment-Safety-Part-1-
General Requirement



UL listed to
UL 2416, Outline of Investigation
for Audio/Video, Information and
Communication Technology Equipment
Cabinet, Enclosure and Rack Systems;
UL 60950-1 and CSA C22.2 NO.
60950-1-07, Information Technology
Equipment Safety Part 1: General
Requirements



Environment Friendly;
* ISO 14001 Environmental
Management System
* RoHS compliancy
* %100 Recyclable Material

Standard Color of Metal Parts:



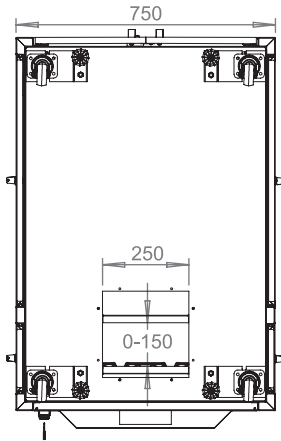
RAL 9005 Black

SOUNDproof free standing cabinets, with 19" w:750 mm and d:1130 mm physical sizes, with max internal usable depth 17U.

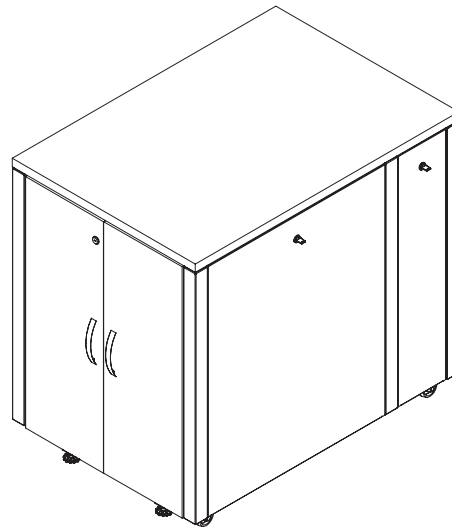


19" SOUNDproof Free Standing Cabinets 17U Drawings

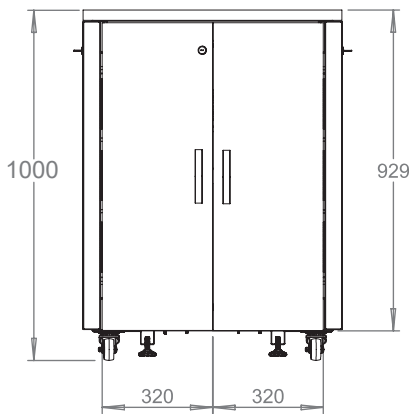
Width: 750 mm
Depth: 1130 mm



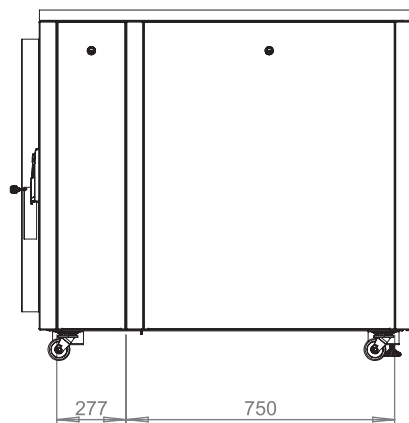
Bottom view



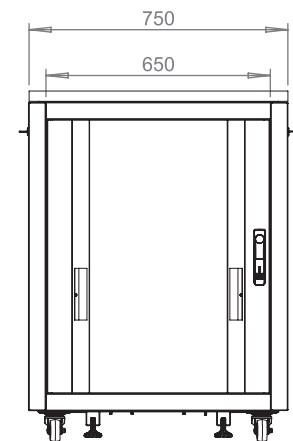
Isometric view



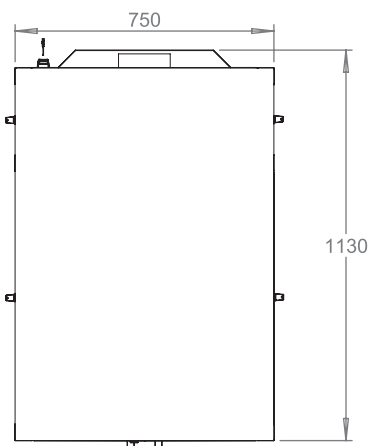
Front view



Side view



Rear view



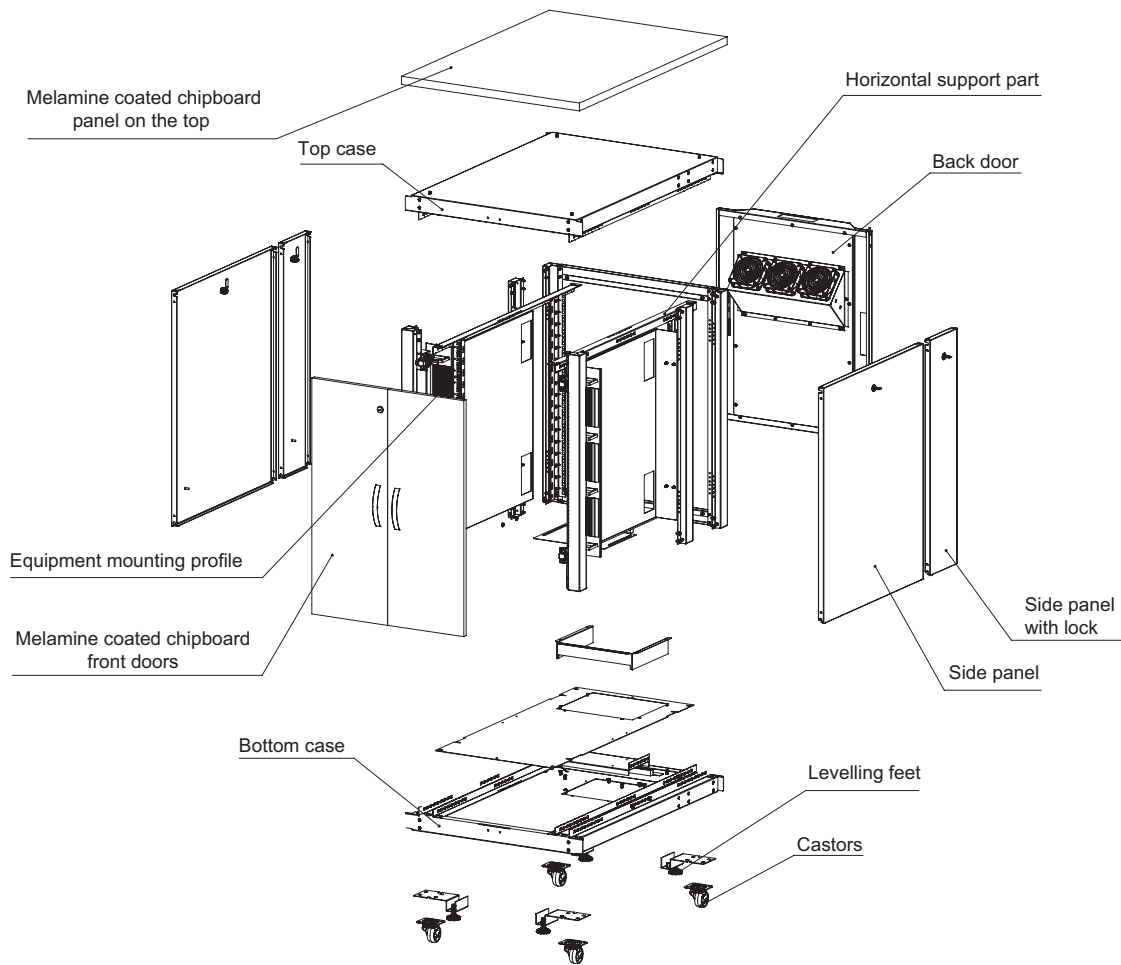
Top view

19" SOUNDproof

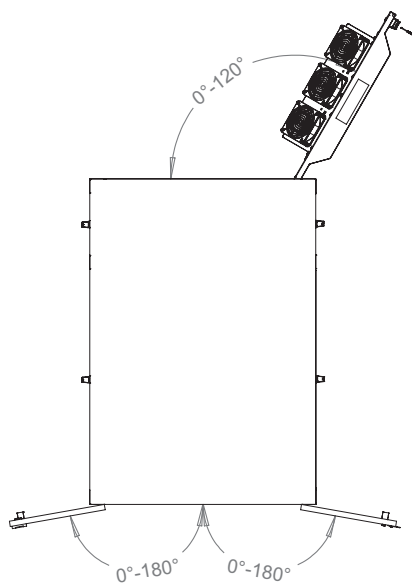
Free Standing Cabinets 17U

Drawings

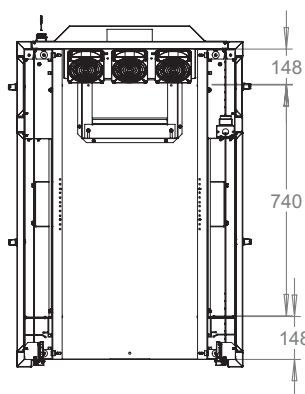
Width: 750 mm
Depth: 1130 mm



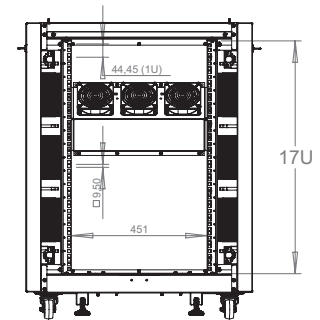
Exploded view



Front door opening angle



Equipment mounting distance



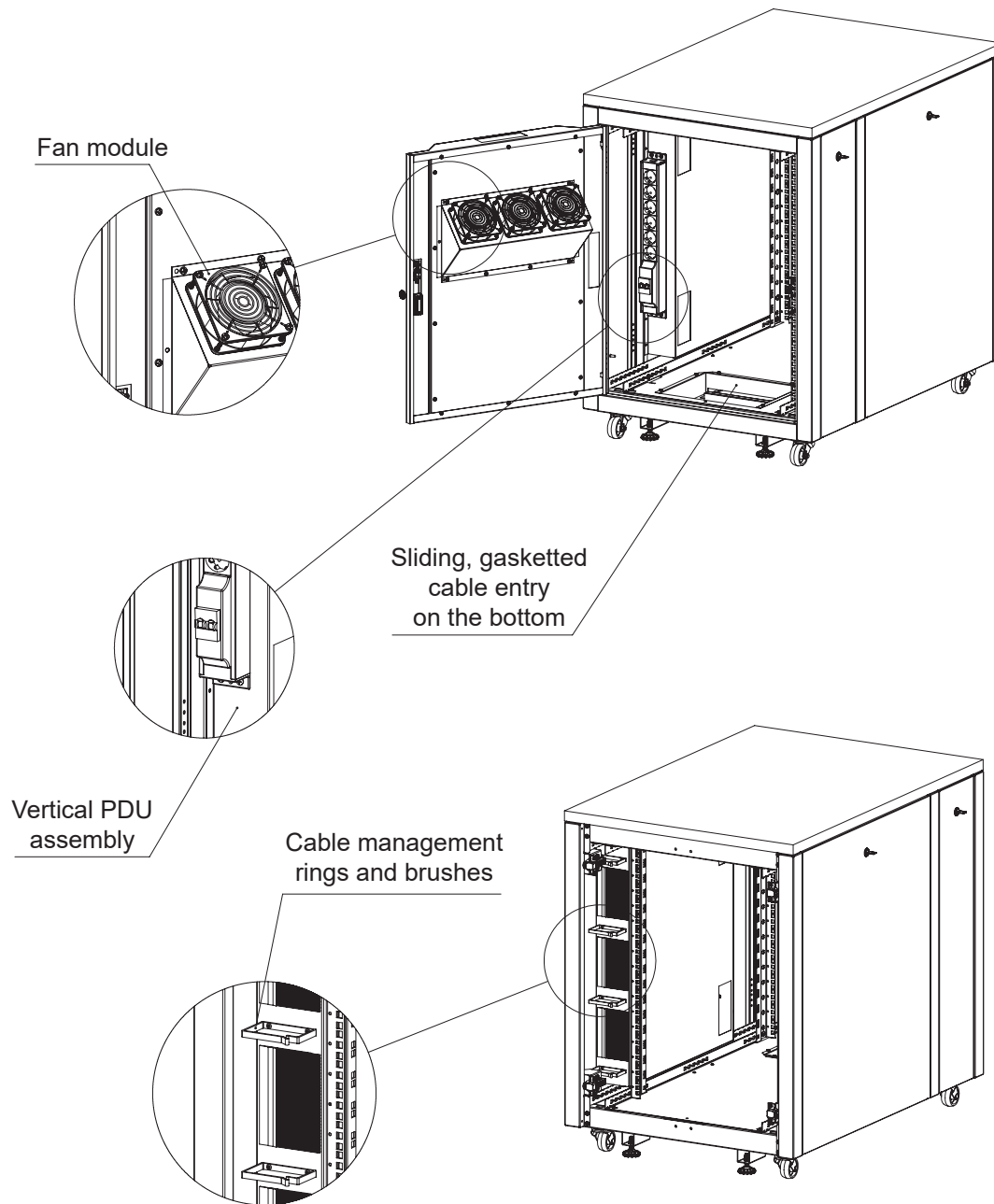
Dimensions in width and height

19" SOUNDproof

Free Standing Cabinets 17U

Drawings

Width: 750 mm
Depth: 1130 mm



SOUNDproof Series Free Standing 19" Cabinets 17U W=750 mm D=1130 mm

Product Number	Product Description	Size WxDxH mm	h Size in U	h in mm	H mm, Overall Incl Feet, Castor	Width Overall mm	Width Rail to Rail	Depth Overall mm	Depth Shipping Conf. Rail to Rail mm	QTY IN PACKAGE	PACKING DIMENSIONS WxDxH mm	Standard NET Weight of Product kgs	Gross Weight of Product kgs	QTY IN PALETTE
LN-SP-17U7511-M-BL	17U 19" SOUNDproof Cabinet W=750 mm D=1130 mm	750x1130x1000	17U	756	1000	750	19"	1130	740	1	820x1200x1120	138	52	1

* Standard supply is with M-Maple Wood/Furniture Concept

** Incase requested with any other Wood/Furniture Concept, replace M with, O-Oak, C-Cherry, B- Beech, T-Teak, W-Walnut, based on your selection.

*** All Metallic Parts are in RAL 9005 Black Color, any other color requests, please have a correspondence.



19" SOUNDproof

Free Standing Cabinets

U Heights: 17U, 32U and 42U

Width: 750 mm
Depth: 1130 mm

Load Capacity: 1000 kgs.

U Height: 32U

Standards and Compliances:



ISO 9001:2008
Quality Management System

EN 61587-1:2012
Mechanical Structures for
Electronic Equipment

IEC 297-1, 19" Mounting
IEC 297-2 Overall Cabinet Dimensions



CE conform to
EN 60950-1:2006
Information Technology
Equipment-Safety-Part-1-
General Requirement



UL listed to
UL 2416, Outline of Investigation
for Audio/Video, Information and
Communication Technology Equipment
Cabinet, Enclosure and Rack Systems;
UL 60950-1 and CSA C22.2 NO.
60950-1-07, Information Technology
Equipment Safety Part 1: General
Requirements



Environment Friendly;
* ISO 14001 Environmental
Management System
* RoHS compliancy
* %100 Recyclable Material

Standard Color of Metal Parts:



RAL 9005 Black

SOUNDproof free standing cabinets, with 19" w: 750 mm and d: 1130 mm physical sizes, with max internal usable depth 32U.

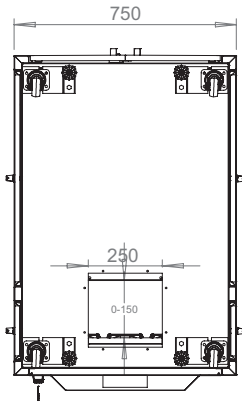


19" SOUNDproof

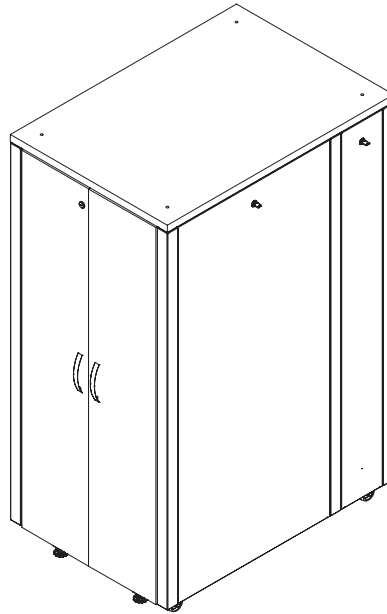
Free Standing Cabinets 32U

Drawings

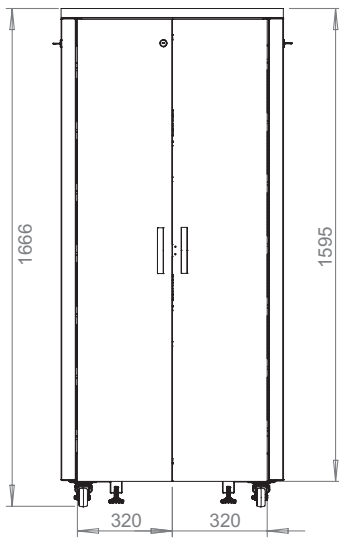
Width: 750 mm
Depth: 1130 mm



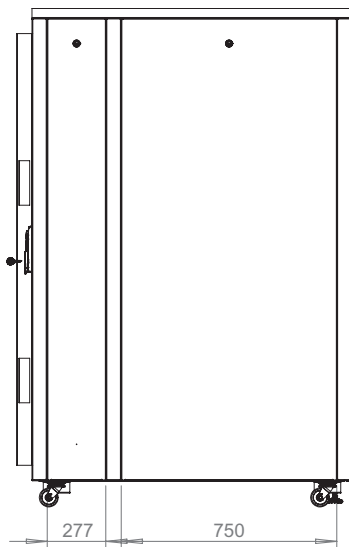
Bottom view



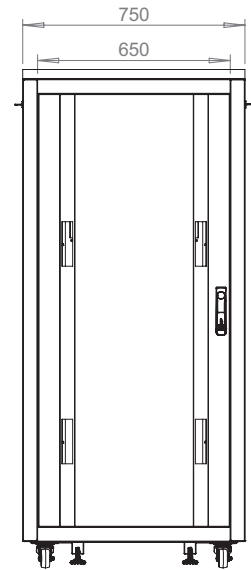
Isometric view



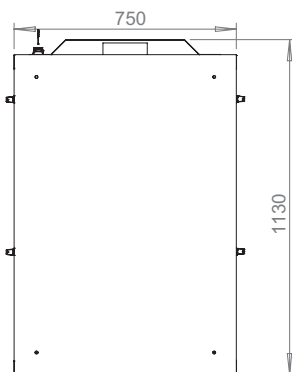
Front view



Side view



Rear view



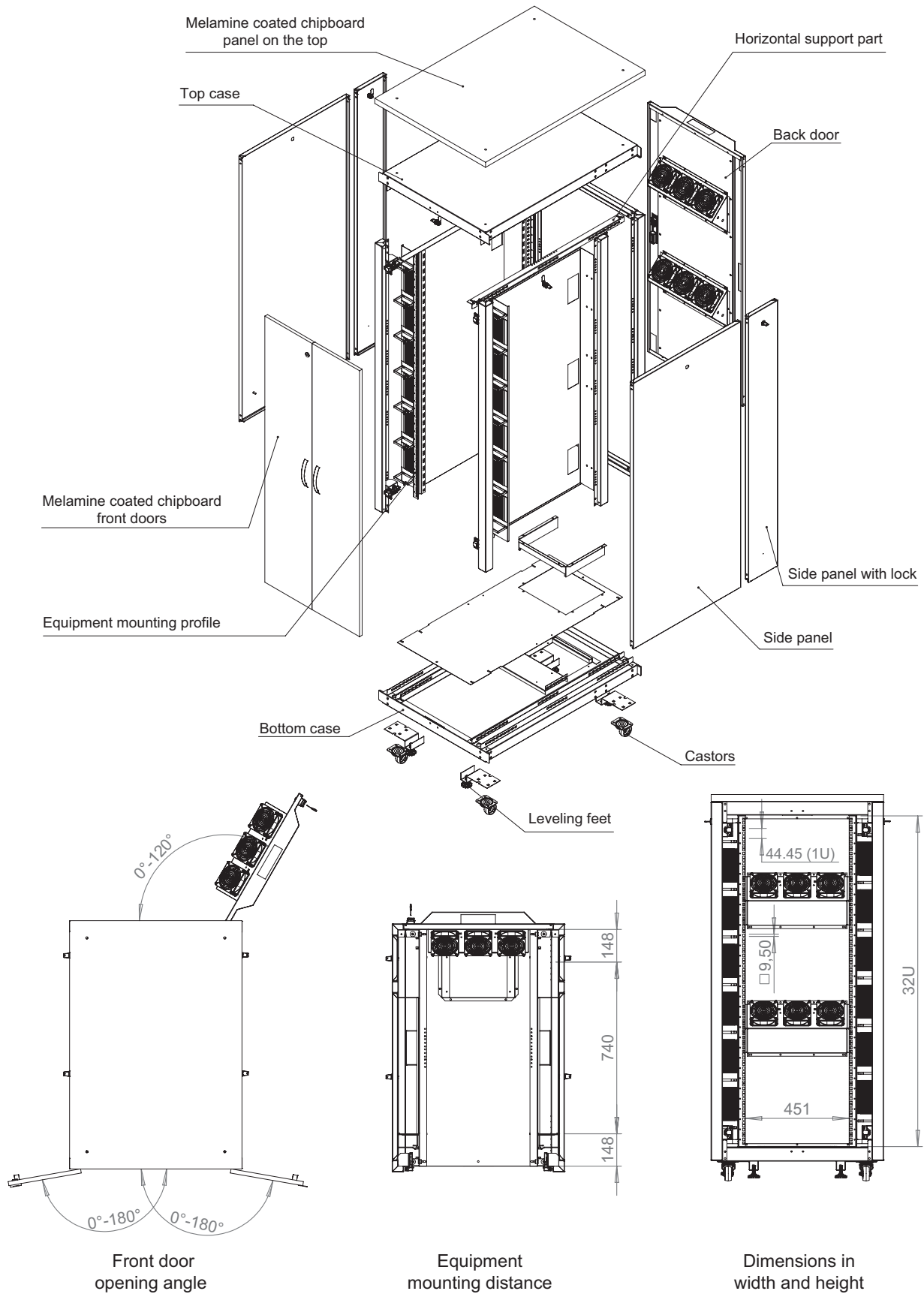
Top view

19" SOUNDproof

Free Standing Cabinets 32U

Drawings

Width: 750 mm
Depth: 1130 mm

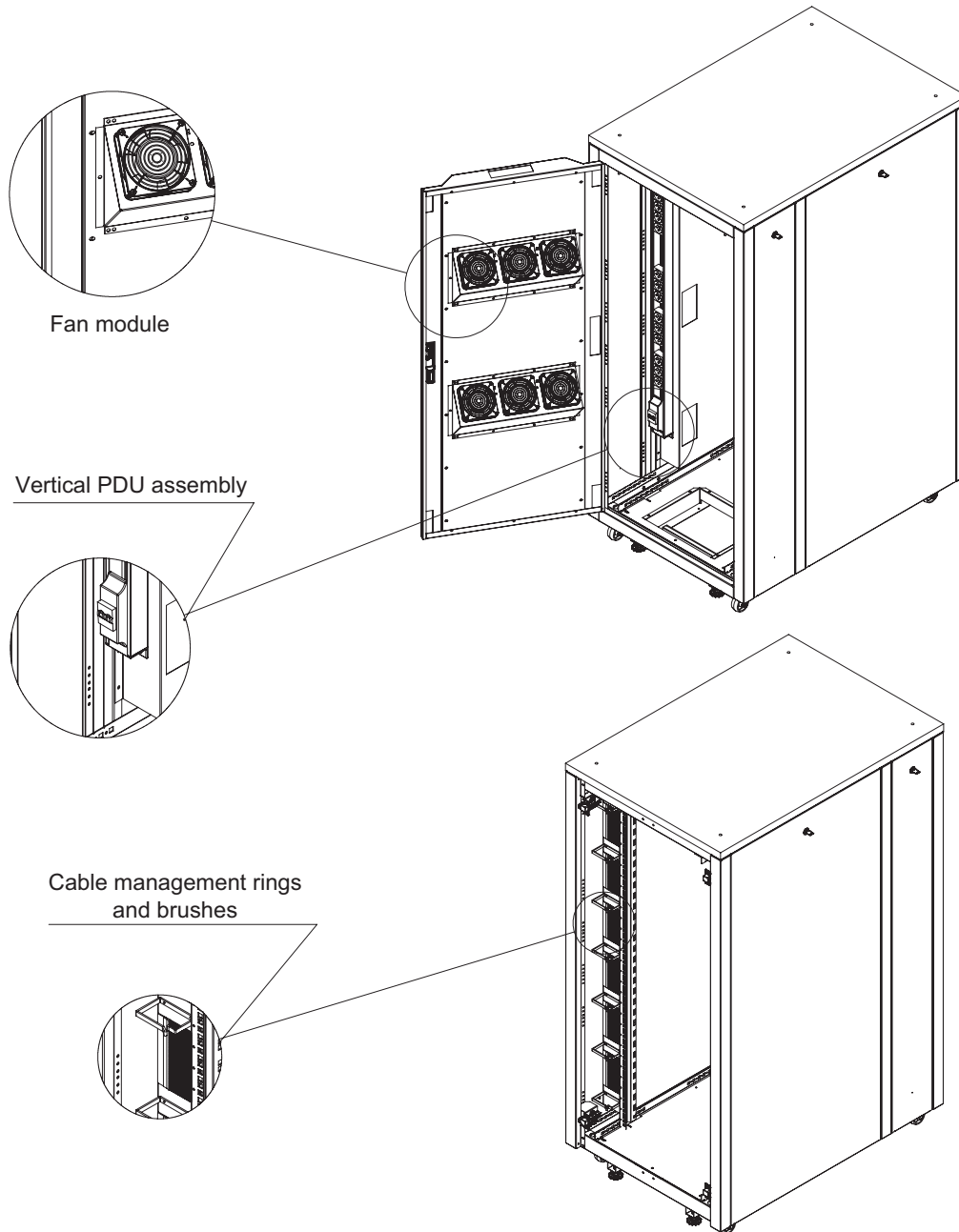


19" SOUNDproof

Free Standing Cabinets 32U

Drawings

Width: 750 mm
Depth: 1130 mm



SOUNDproof Series Free Standing 19" Cabinets 32U W=750 mm D=1130 mm

Product Number	Product Description	Size WxDxH mm	h Size in U	h in mm	H mm, Overall Incl Feet, Castor	Width Overall mm	Width Rail to Rail	Depth Overall mm	Depth Shipping Conf. Rail to Rail mm	QTY IN PACKAGE	PACKING DIMENSIONS WxDxH mm	Standard NET Weight of Product kgs	Gross Weight of Product kgs	QTY IN PALETTE
LN-SP-32U7511-M-BL	32U 19" SOUNDproof Cabinet W=750 mm D=1130 mm	750x1130x1666	32U	1423	1666	750	19"	1130	740	1	820x1200x1787	165	183	1

* Standard supply is with M-Maple Wood/Furniture Concept

** Incase requested with any other Wood/Furniture Concept, replace M with, O-Oak, C-Cherry, B- Beech, T-Teak, W-Walnut, based on your selection.

*** All Metallic Parts are in RAL 9005 Black Color, any other color requests, please have a correspondence.



19" SOUNDproof

Free Standing Cabinets

U Heights: 17U, 32U and 42U

Width: 750 mm
Depth: 1130 mm

Load Capacity: 1000 kgs.

U Height: 42U

Standards and Compliances:



ISO 9001:2008
Quality Management System

EN 61587-1:2012
Mechanical Structures for
Electronic Equipment

IEC 297-1, 19" Mounting
IEC 297-2 Overall Cabinet Dimensions



CE conform to
EN 60950-1:2006
Information Technology
Equipment-Safety-Part-1-
General Requirement



UL listed to
UL 2416, Outline of Investigation
for Audio/Video, Information and
Communication Technology Equipment
Cabinet, Enclosure and Rack Systems;
UL 60950-1 and CSA C22.2 NO.
60950-1-07, Information Technology
Equipment Safety Part 1: General
Requirements



Environment Friendly;
* ISO 14001 Environmental
Management System
* RoHS compliancy
* %100 Recyclable Material

Standard Color of Metal Parts:



RAL 9005 Black

SOUNDproof free standing cabinets, with 19" w: 750 mm and d: 1130 mm physical sizes, with max internal usable depth 42U.

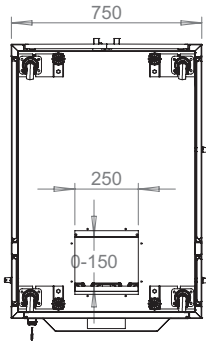


19" SOUNDproof

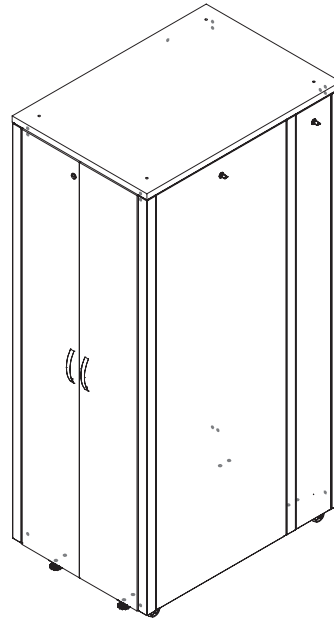
Free Standing Cabinets 42U

Drawings

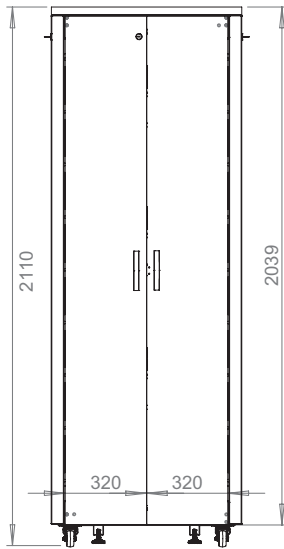
Width: 750 mm
Depth: 1130 mm



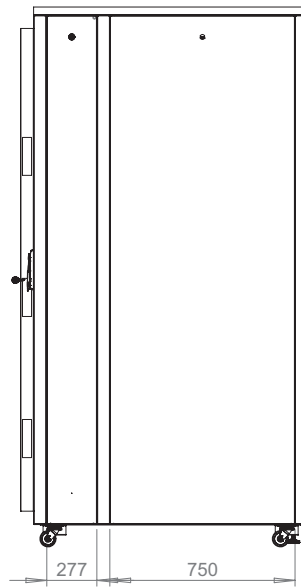
Bottom view



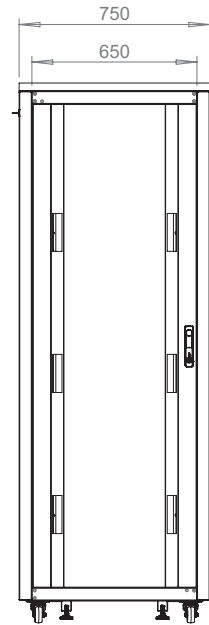
Isometric view



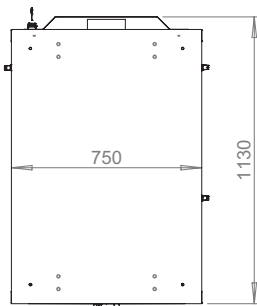
Front view



Side view



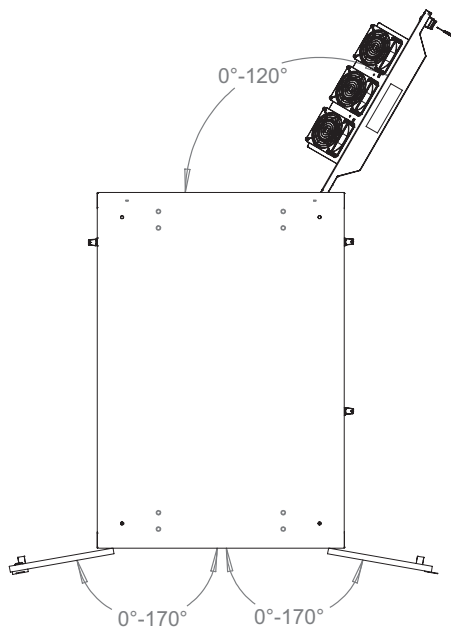
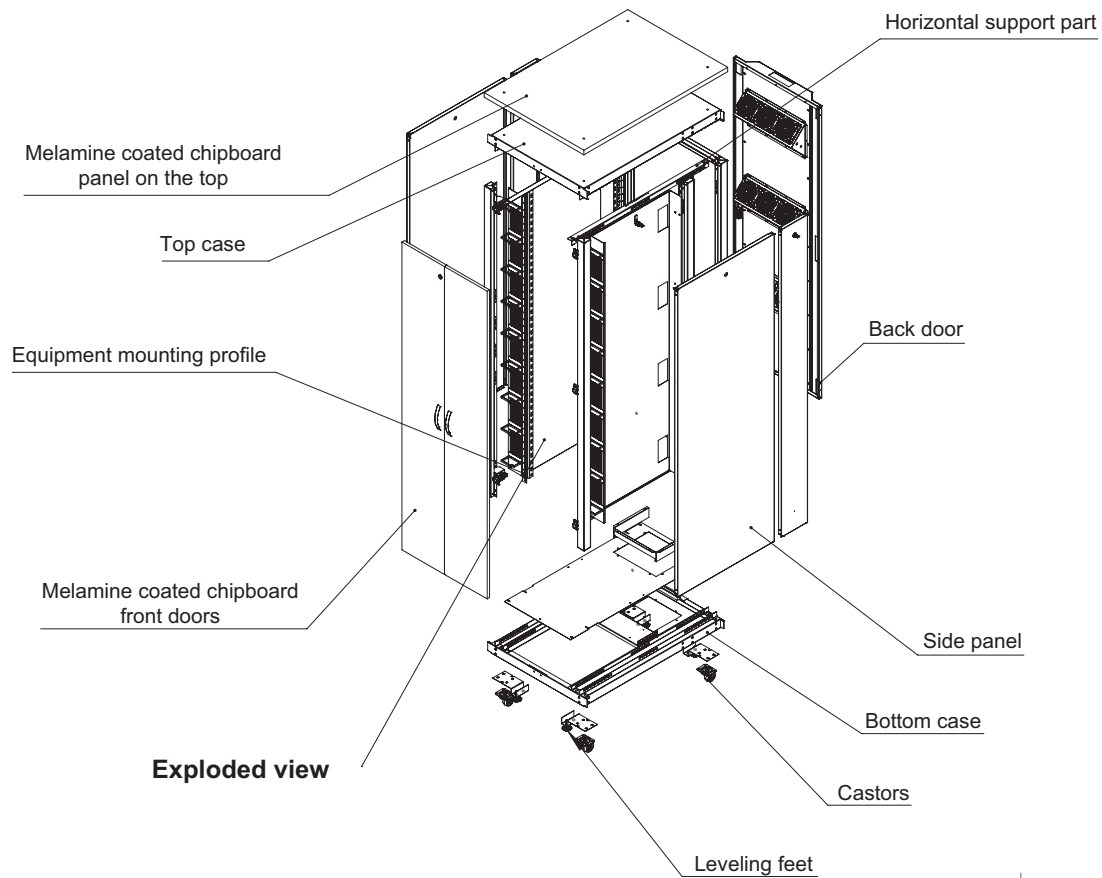
Rear view



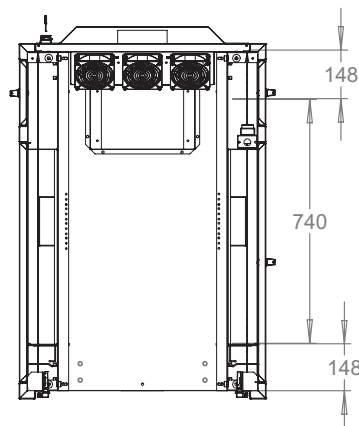
Top view

19" SOUNDproof Free Standing Cabinets 42U Drawings

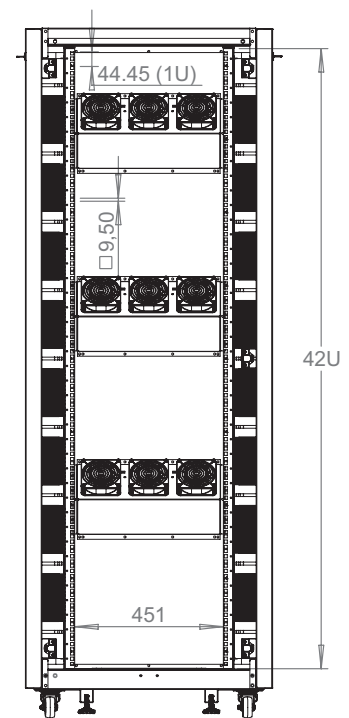
Width: 750 mm
Depth: 1130 mm



Front door opening angle



Equipment mounting distance



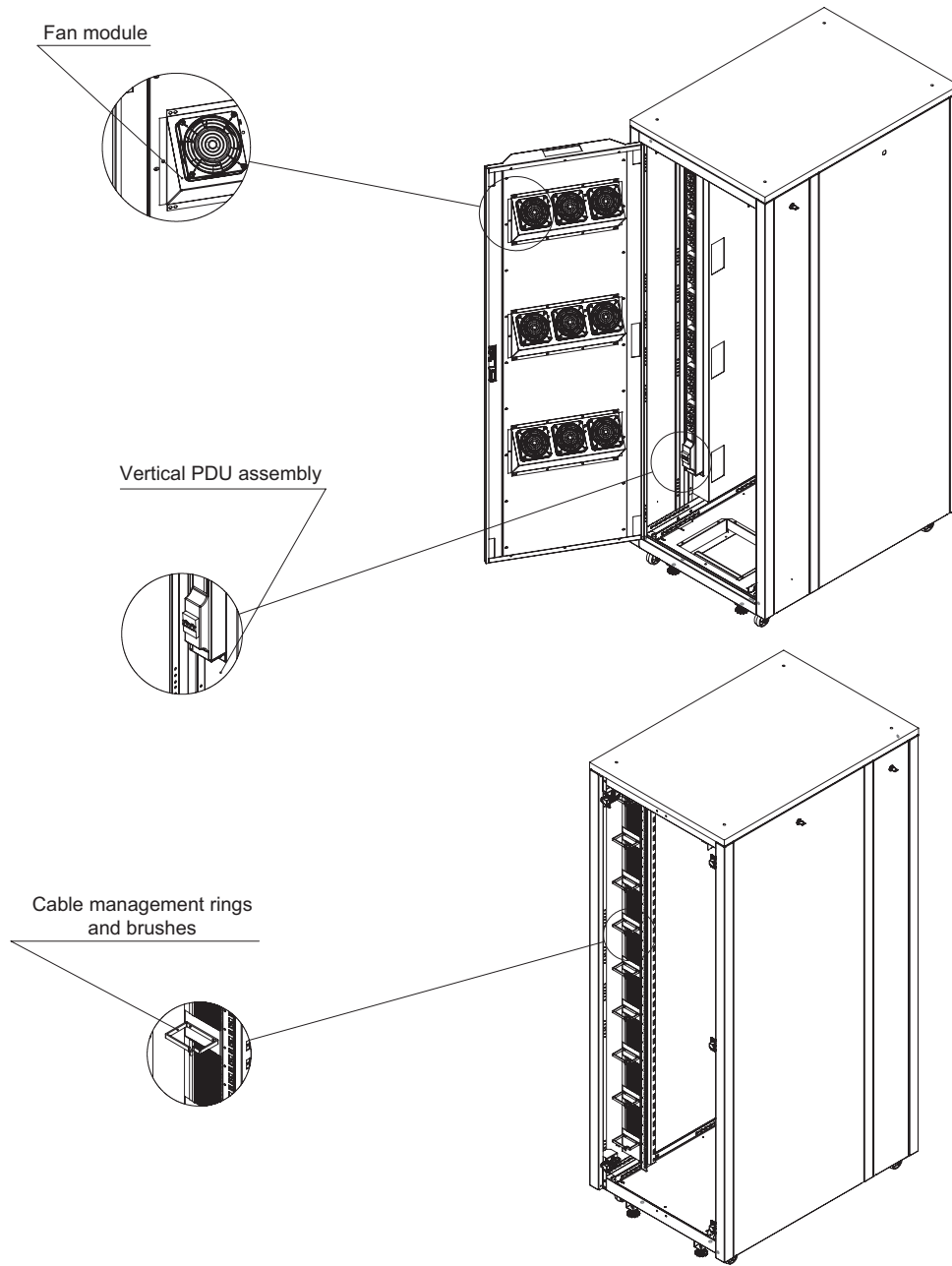
Dimensions in width and height

19" SOUNDproof

Free Standing Cabinets 42U

Drawings

Width: 750 mm
Depth: 1130 mm



SOUNDproof Series Free Standing 19" Cabinets 42U W=750 mm D=1130 mm

Product Number	Product Description	Size WxDXH mm	h Size in U	h in mm	H mm, Overall Incl Feet, Castor	Width Overall mm	Width Rail to Rail	Depth Overall mm	Depth Shipping Conf. Rail to Rail mm	QTY IN PACKAGE	PACKING DIMENSIONS WxDXH mm	Standard NET Weight of Product kgs	Gross Weight of Product kgs	QTY IN PALETTE
LN-SP-42U7511-M-BL	42U 19" SOUNDproof Cabinet W=750 mm D=1130 mm	750x1130x2110	42U	1867	2110	750	19"	1130	740	1	820x1200x2231	210	228	1

* Standard supply is with M-Maple Wood/Furniture Concept

** Incase requested with any other Wood/Furniture Concept,

replace M with, O-Oak, C-Cherry, B- Beech, T-Teak, W-Walnut, based on your selection.

*** All Metallic Parts are in RAL 9005 Black Color, any other color requests, please have a correspondence.



19" SOUNDproof

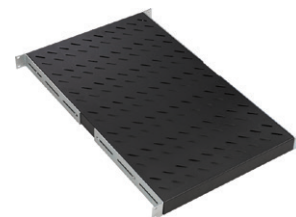
Free Standing Cabinets

Accessories

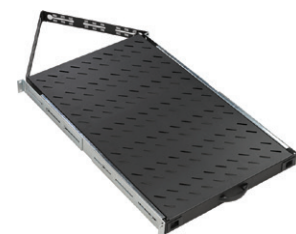
Fixed shelves universal mutivendor	17U	32U	42U
	LN-RAF-SBT-D100-BL-UNV	LN-RAF-SBT-D100-BL-UNV	LN-RAF-SBT-D100-BL-UNV



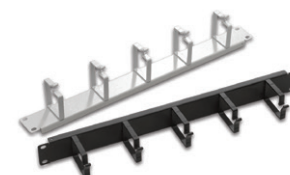
Heavy duty fixed shelves	17U	32U	42U
	LN-RAF-SBA-D100-BL	LN-RAF-SBA-D100-BL	LN-RAF-SBA-D100-BL



Heavy duty sliding shelves	17U	32U	42U
	LN-RAF-HRA-D100-BL	LN-RAF-HRA-D100-BL	LN-RAF-HRA-D100-BL



Horizontal cable management panel 19" 1U 5 rings	17U	32U	42U
	LN-KDG-YKD-1UKN-BL	LN-KDG-YKD-1UKN-BL	LN-KDG-YKD-1UKN-BL



Mounting hardware, fixing M6 cage nut set of 20	17U	32U	42U
	LN-DGR-KFS-M620-XX	LN-DGR-KFS-M620-XX	LN-DGR-KFS-M620-XX



	17U	32U	42U
Fan modules max 30dB low noise with thermostat	3 Fans with thermostat included in shipping	6 fans with thermostat included in shipping	9 fans with thermostat included in shipping
Castor set	Included	Included	Included
Leveling feet group	Included	Included	Included
Cable management panel and rings	Included	Included	Included



*** There are various type other accessories can be integrated to Soundproof Cabinets, please see various model compatible rack mount accessories in main catalogue accessories section.

19" SOUNDproof

Free Standing Cabinets

Accessories / Basic Power Distribution Units (PDU)



6xDIN49440 socket schuko power stripe, 19" 1U, aluminium housing, 1x16A cct breaker, 4000 Watt, 250V AC, 3x1.5 mm², 2,5m cable, DIN 49441 plug, CE approval

	17U	32U	42U
	LN-PRZ-SGT-1U6P-SC	LN-PRZ-SGT-1U6P-SC	LN-PRZ-SGT-1U6P-SC



6xIEC 320 C13 socket power stripe, 19" aluminium housing, 1x16A cct breaker, 4000 watt, 250V AC, 2,5 m cable, DIN 49441 plug, CE approval

	17U	32U	42U
	LN-PRZ-SGT-1U6P-IE	LN-PRZ-SGT-1U6P-IE	LN-PRZ-SGT-1U6P-IE



6xBS1363 UK socket power stripe, 19" 1U, aluminium housing, lighted on/off switched, 13A 3250 watt, 250V AC, 3x1.5 mm², 2,5m cable, 13A BS1363 plug, CE mark

	17U	32U	42U
	LN-PRZ-ONF-1U6P-UK	LN-PRZ-ONF-1U6P-UK	LN-PRZ-ONF-1U6P-UK



6xDIN49440 socket schuko surge protection power stripe, 19" 1U, aluminium housing, 16A lighted on/off switched, 4000 watt, 250V AC, 3x1.5 mm², 2,5m cable, DIN 49441 plug, CE approval

	17U	32U	42U
	LN-PRZ-AKK-1U6P-SC	LN-PRZ-AKK-1U6P-SC	LN-PRZ-AKK-1U6P-SC



6xIEC 320 C13 socket PDU with ampermeter display, 19" 1U, aluminium profile frame, 1x16A MCB, 4000 Watt, 250V AC, 3x2.5 mm², 3m cord with IEC60309 plug (16A 2P+E), CE mark

	17U	32U	42U
	LN-PRZ-AMP-1U6P-IE	LN-PRZ-AMP-1U6P-IE	LN-PRZ-AMP-1U6P-IE

19" SOUNDproof

Free Standing Cabinets

Accessories / Basic Power Distribution Units (PDU, Vertical)



	17U	32U	42U
12xDIN49440 socket schuko power stripe - double circuit (9+9), aluminium housing, 2pcs. 1x16A cct breaker, 250vac, for 17U cabinet height, no cable, ready cable connection point	LN-PRZ-SGT-1712-SC (max 2 pcs)	-	-
12xIEC 320 C13 socket power stripe - double circuit (9+9), aluminium housing, 2pcs. 1x16A cct breaker, 250vac, for 17U cabinet height, no cable, ready cable connection point	LN-PRZ-SGT-1712-IE (max 2 pcs)	-	-
16xDIN49440 socket schuko power stripe - double circuit (9+9), aluminium housing, 2pcs. 1x16A cct breaker, 250vac, for 32U cabinet height, no cable, ready cable connection point	-	LN-PRZ-SGT-3216-SC (max 2 pcs)	-
16xIEC 320 C13 socket power stripe - double circuit (9+9), aluminium housing, 2pcs. 1x16A cct breaker, 250vac, for 32U cabinet height, no cable, ready cable connection point	-	LN-PRZ-SGT-3216-IE (max 2 pcs)	-
18xDIN49440 socket schuko power stripe - double circuit (9+9), aluminium housing, 2pcs. 1x16A cct breaker, 250vac, for 42U cabinet height, no cable, ready cable connection point	-	-	LN-PRZ-SGT-4218-SC (max 2 pcs)
18xIEC 320 C13 socket power stripe - double circuit (9+9), aluminium housing, 2pcs. 1x16A cct breaker, 250vac, for 42U cabinet height, no cable, ready cable connection point	-	-	LN-PRZ-SGT-4218-IE (max 2 pcs)

19" SOUNDproof Free Standing Cabinets

Accessories / Power Distribution Units (PDU, vertical)
Monitoring and Managed Intelligent

IEC 320 C13
lockable and
C19 socket
combinations



Hydraulic magnetic
circuit breakers



24xIEC 320 (20xC13 + 4xC19) socket, MONITORED IP PDU with LCD display, ZeroU, metal body, 2pcs 1P 16A hydraulic circuit breaker, 8000 Watt, 250V AC, 3x6.0 mm², 3m cord with IEC60309 plug (32A 2P+E), CE mark, daisy-chain function up to 1 master 4 slave units, remote monitoring port- PDU based monitoring

42xIEC 320 (36xC13 + 6xC19) socket, MONITORED IP PDU with LCD display, ZeroU, metal body, 2pcs 1P 16A hydraulic circuit breaker, 8000 Watt, 250V AC, 3x6.0 mm², 3m cord with IEC60309 plug (32A 2P+E), CE mark, daisy-chain function up to 1 master 4 slave units, remote monitoring port- PDU based monitoring

24xIEC 320 (20xC13 + 4xC19) socket, MANAGED IP PDU with LCD display, ZeroU, metal body, 2pcs 1P 16A hydraulic circuit breaker, 8000 Watt, 250V AC, 3x6.0 mm², 3m cord with IEC60309 plug (32A 2P+E), CE mark, daisy-chain function up to 1 master 4 slave units, remote monitoring port- outlet based monitoring and remote switch on/off function per socket or group of sockets

	17U	32U	42U
24xIEC 320 (20xC13 + 4xC19) socket, MONITORED IP PDU with LCD display, ZeroU, metal body, 2pcs 1P 16A hydraulic circuit breaker, 8000 Watt, 250V AC, 3x6.0 mm ² , 3m cord with IEC60309 plug (32A 2P+E), CE mark, daisy-chain function up to 1 master 4 slave units, remote monitoring port- PDU based monitoring	-	-	LN-PRZ-IZP-DM24-IE
42xIEC 320 (36xC13 + 6xC19) socket, MONITORED IP PDU with LCD display, ZeroU, metal body, 2pcs 1P 16A hydraulic circuit breaker, 8000 Watt, 250V AC, 3x6.0 mm ² , 3m cord with IEC60309 plug (32A 2P+E), CE mark, daisy-chain function up to 1 master 4 slave units, remote monitoring port- PDU based monitoring	-	-	LN-PRZ-IZP-DM42-IE
24xIEC 320 (20xC13 + 4xC19) socket, MANAGED IP PDU with LCD display, ZeroU, metal body, 2pcs 1P 16A hydraulic circuit breaker, 8000 Watt, 250V AC, 3x6.0 mm ² , 3m cord with IEC60309 plug (32A 2P+E), CE mark, daisy-chain function up to 1 master 4 slave units, remote monitoring port- outlet based monitoring and remote switch on/off function per socket or group of sockets	-	-	LN-PRZ-YNP-DM24-IE

Main functions	Product series	
	IZP series	YNP series
Accurate measurement of total energy consumption	✓	✓
Total working voltage metering	✓	✓
Total load current metering	✓	✓
Total power metering	✓	✓
Power factor monitoring	✓	✓
Temperature & humidity monitoring	✓	✓
Outlet current metering		✓
Outlet power metering		✓
Threshold setting of outlet current		✓
Accurate measurement of outlet energy consumption		✓
Outlet switching		✓
Delay setting of outlet sequential switching		✓

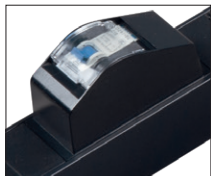


- LCD DISPLAY:** Display electrical parameters like Amp, volt, kW, kWh, power factor etc.
- NET:** For Ethernet access (Http/Https), support remote data backup.
- SER:** For serial access, MODBUS protocol.
- USB:** For WIFI access and kernel update.
- SENSOR:** To connect external sensor extension box which has 2 temperature & humidity sensor port, 2 door sensor port, 1 water sensor port and 1 smoke sensor port.

19" SOUNDproof Free Standing Cabinets

Accessories / Basic Power Distribution Units (PDU, vertical)
with Ampermeter Display Unit

Air circuit breakers



Digital ampermeter display



IEC 320 C13
lockable and
C19 socket
combinations



24xIEC 320 (20xC13 + 4xC19) socket PDU with Ampermeter Display, ZeroU,
aluminium profile frame, 2x16A MCB, 8000 Watt, 250V AC, 3x6.0 mm², 3m
cord with IEC60309 plug (32A 2P+E), CE mark

	17U	32U	42U
	-	LN-PRZ-AMP-DM24-IE	LN-PRZ-AMP-DM24-IE



CONTACT DETAILS

Headquarters

Address:

Merve Mah. Gazi Cad. No: 17 **Phone:** +90 216 312 26 53 pbx
Sancaktepe - İstanbul / TURKEY **Fax** : +90 216 312 09 09

Factory

Address:

20. Cadde No: 14 Eskişehir **Phone:** +90 222 236 24 66 pbx
Organize San. Bölge. 26110 **Fax** : +90 222 236 13 53
Eskişehir / TURKEY

www.lande.com.tr | sales@lande.com.tr

